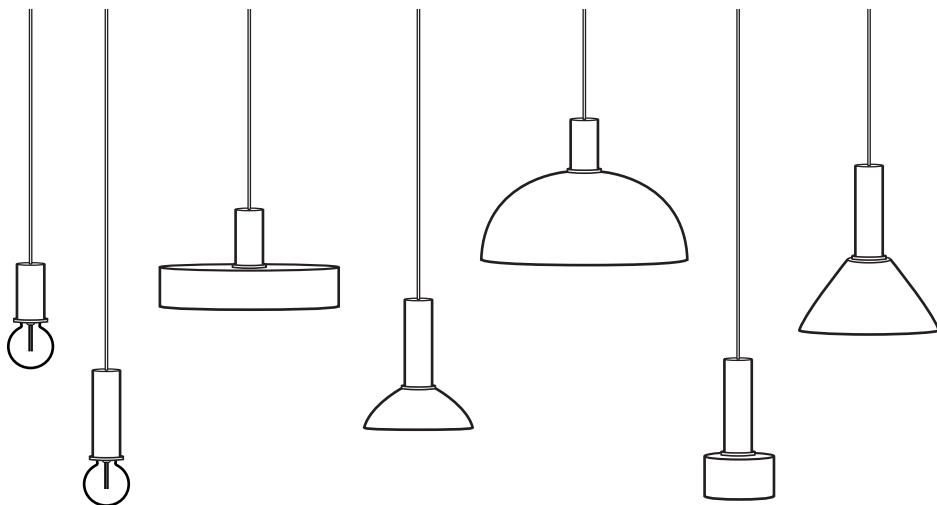
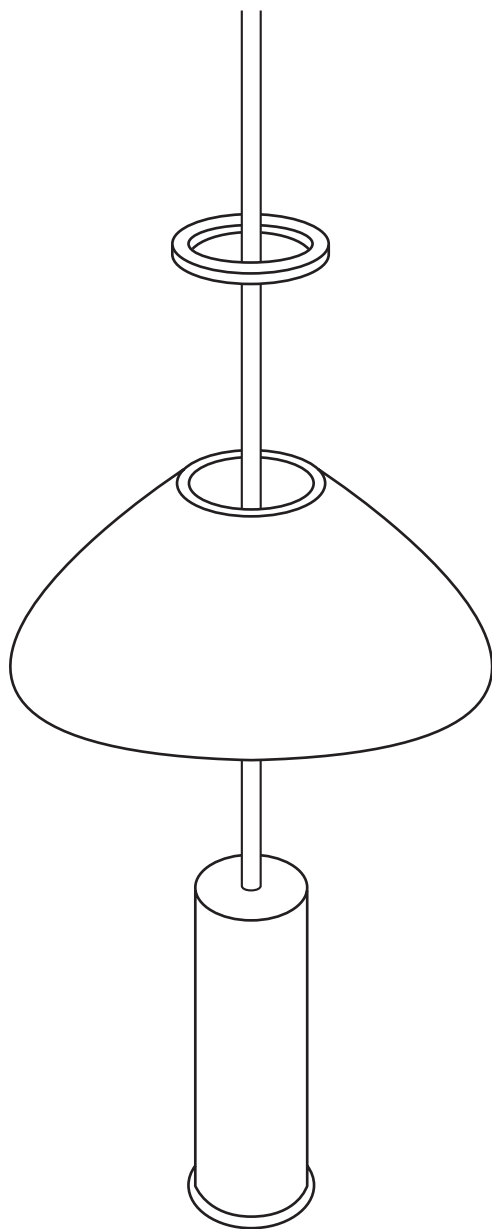


COLLECT LIGHTING

ASSEMBLY MANUAL

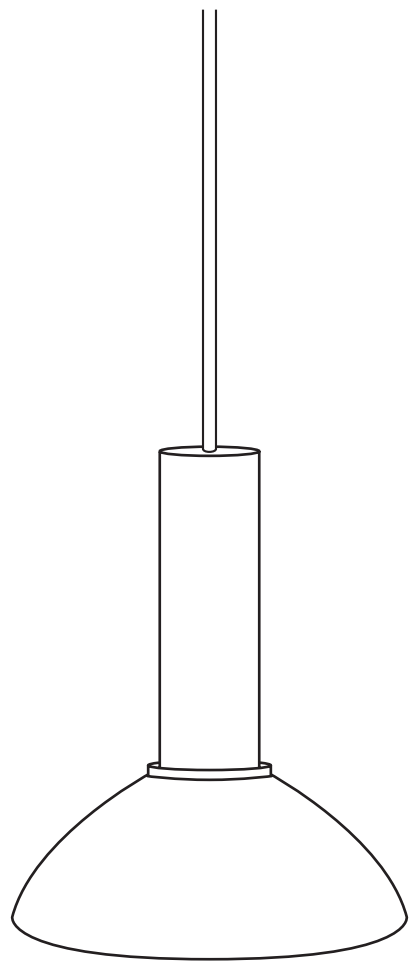


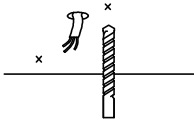
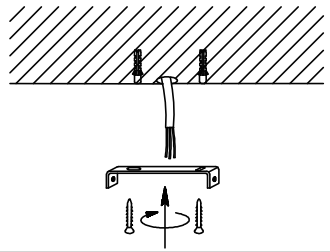
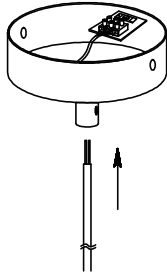
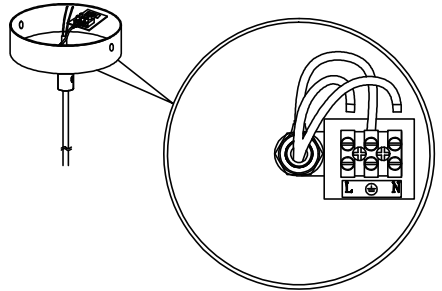
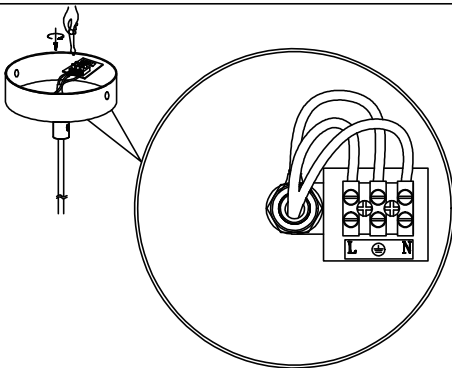
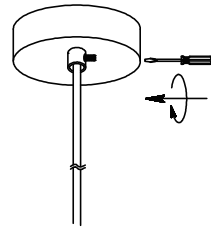
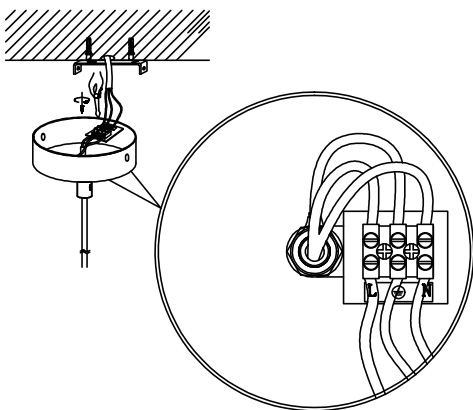
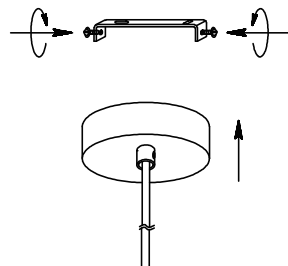


3.

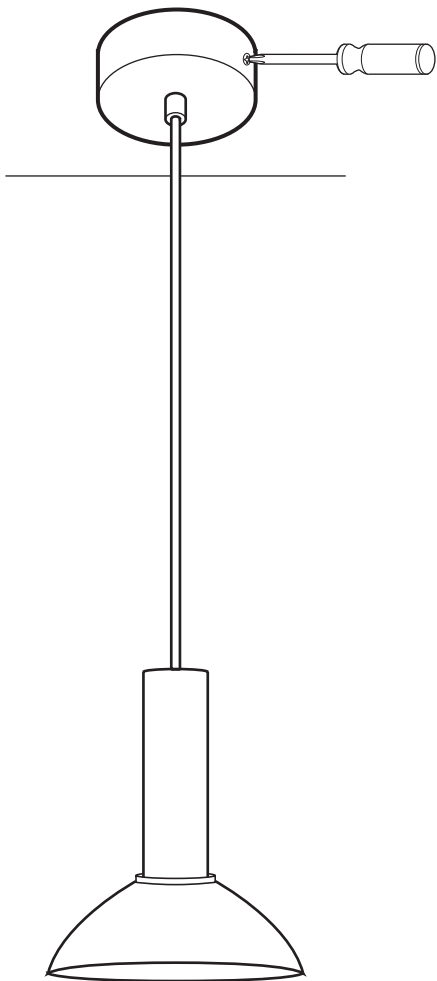
2.

1.

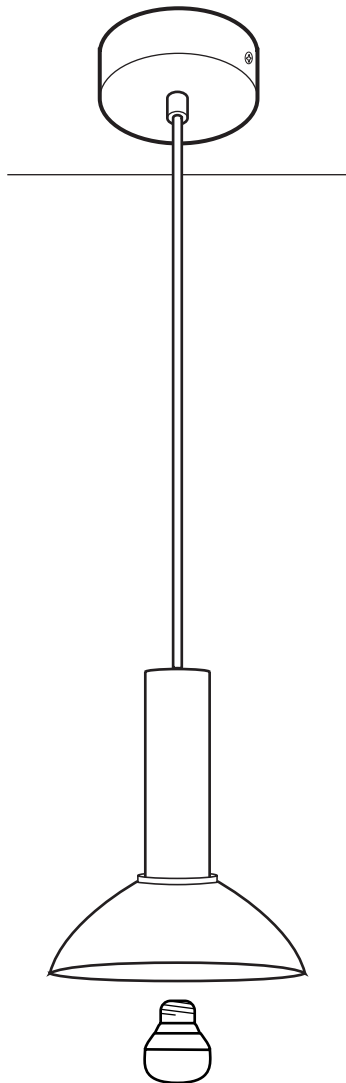


A**B****C****D****E****F****G****H**

3.



4.



ATTENTION

If the external flexible cable or cord of this luminaire is damaged, it shall be exclusively replaced by the manufacturer or his service agent or a similar qualified person in order to avoid a hazard.

fermliving.com