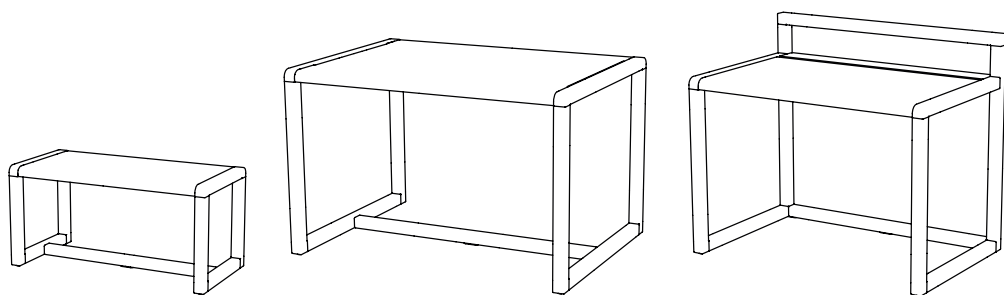


# LITTLE ARCHITECT KIDS FURNITURE

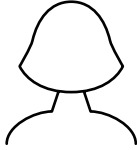
---

## ASSEMBLY MANUAL



## Needed for assembling

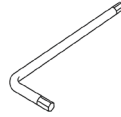
---



One person



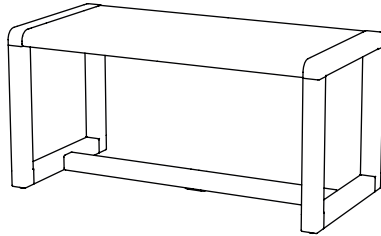
Screwdriver



Hex key

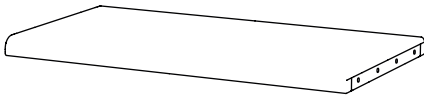
---

# LITTLE ARCHITECT BENCH

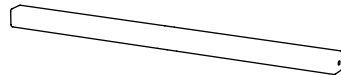


---

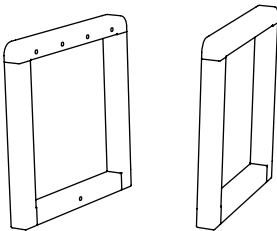
## Content



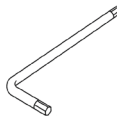
1 x bench seat



1 x crossbar



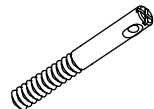
2 x legs



1 x hex key



8 x cap screws

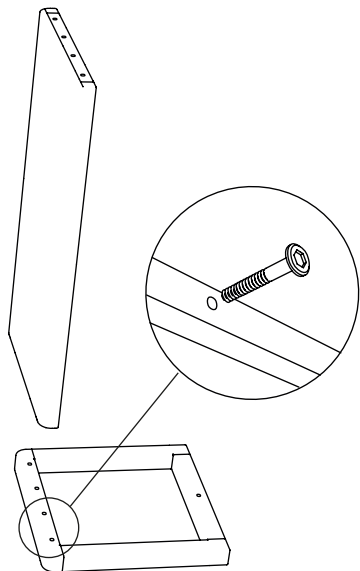


2 x minifix



# Assembling

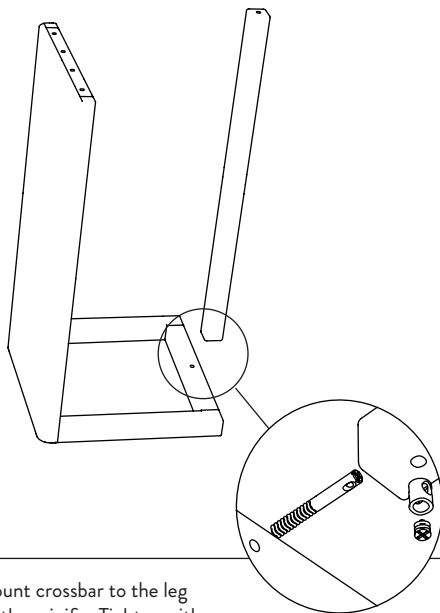
1-2



1. Place one leg on the floor with screw holes pointing upwards. Choose a soft, flat area to avoid scratching the furniture.

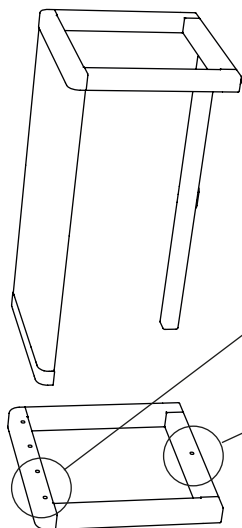
2. Mount bench seat to the leg using the cap screws. Tighten with hex key.

3



3. Mount crossbar to the leg using the minifix. Tighten with a screwdriver.

4-6



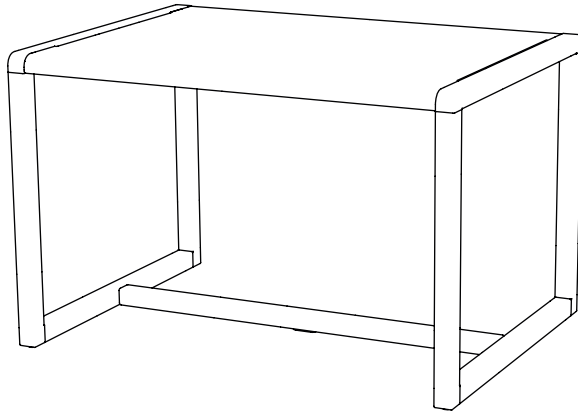
4. Put one minifix in the hole of the second leg.

5. Attach the second leg to the bench seat and crossbar with the minifix and cap screw.

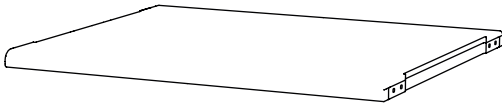
6. Mount with cap screws and tighten with hex key. Tighten minifix with screwdriver.

# LITTLE ARCHITECT TABLE

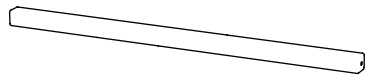
---



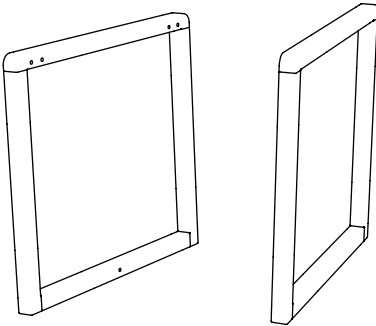
## Content



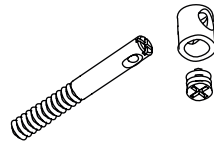
1 x tabletop



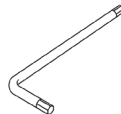
1 x crossbar



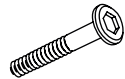
2 x legs



2 x minifix



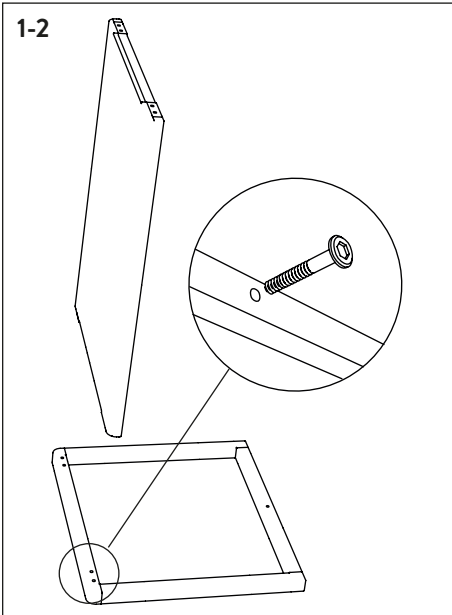
1 x hex key



8 x cap screws

# Assembling

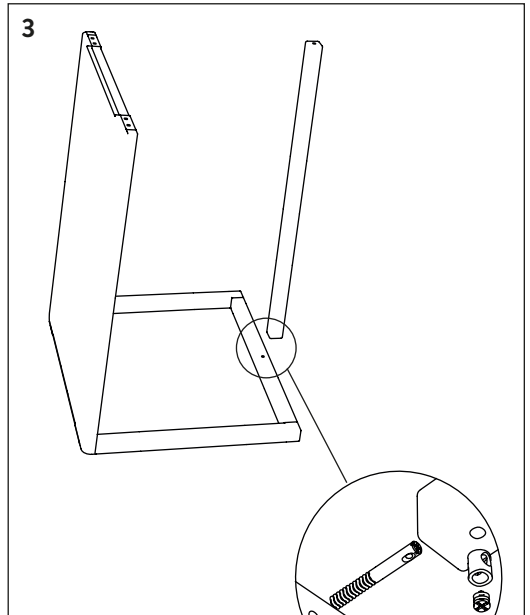
1-2



1. Place one leg on the floor with screw holes pointing upwards. Choose a soft, flat area to avoid scratching the furniture

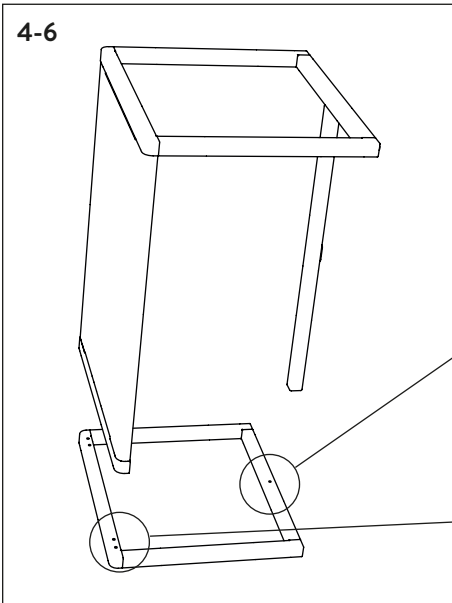
2. Mount tabletop to the leg using 4 cap screws. Tighten with hex key.

3



3. Mount crossbar to the leg using the minifix. Tighten with a screwdriver.

4-6



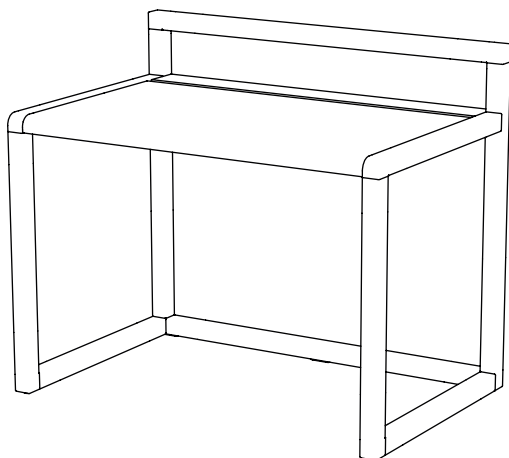
4. Put minifix in the screw hole of the other leg

5. Attach the second leg to the tabletop and crossbar with the minifix and cap screws

6. Tighten with hex key and screwdriver

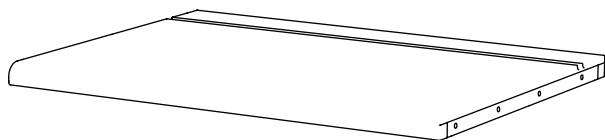
# LITTLE ARCHITECT DESK

---

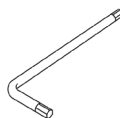


---

## Content



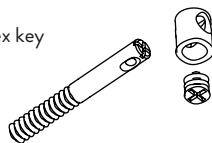
1 x tabletop



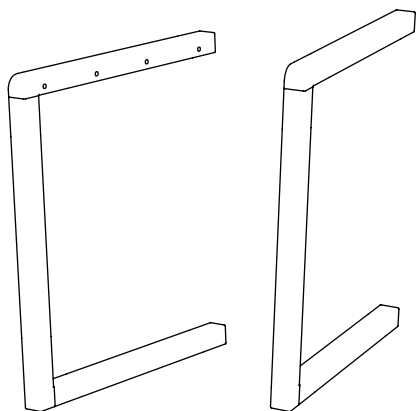
1 x hex key



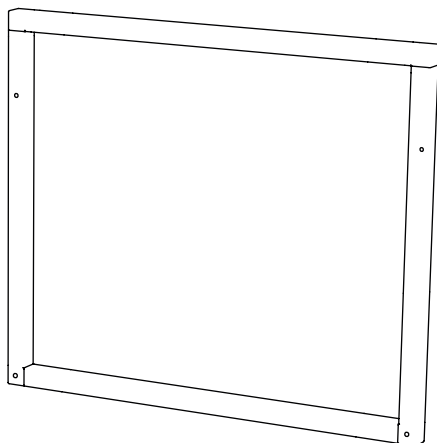
8 x cap screw



4 x minifix

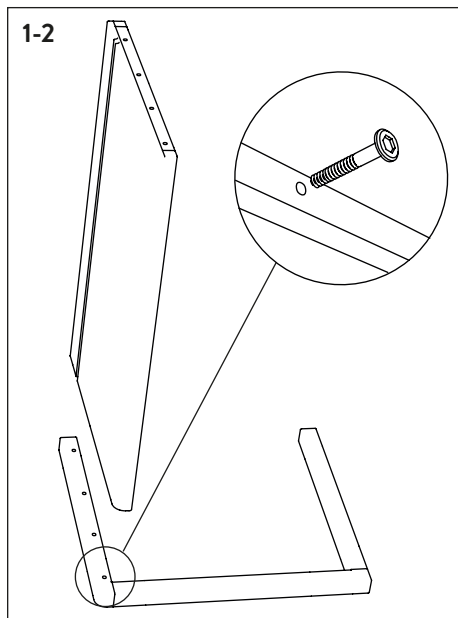


2 x legs



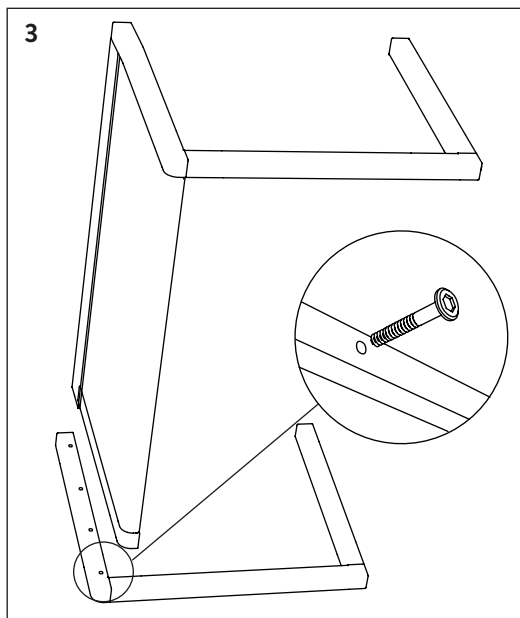
1 x backside frame

# Assembling

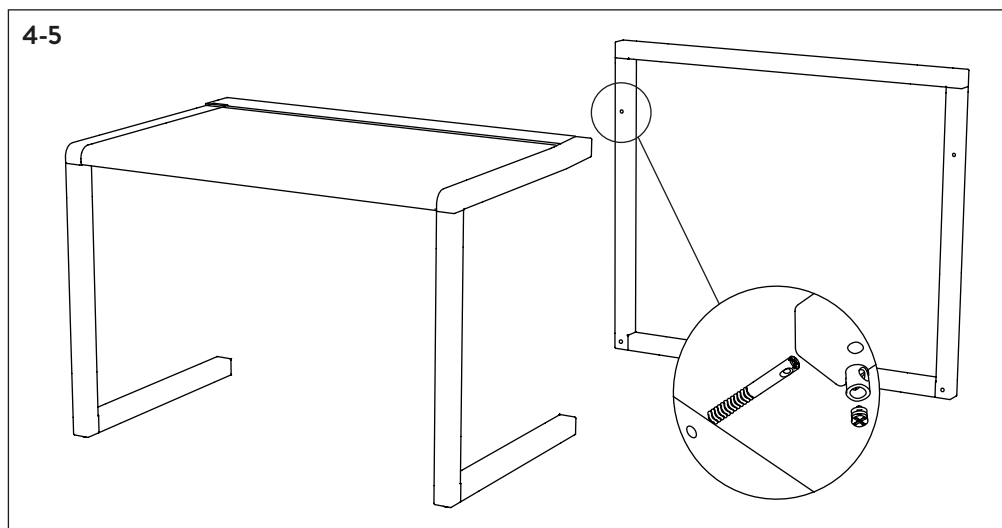


1. Place one leg on the floor with screw holes pointing upwards. Choose a soft, flat area to avoid scratching the furniture

2. Mount tabletop to the leg using 4 cap screws. Tighten with hex key.



3. Attach the second leg to the tabletop and tighten with hex key



4. Put minifixes in the two holes on the backside frame and mount with the legs and tabletop

5. Tighten with screwdriver

[fermliving.com](http://fermliving.com)